

Ti-Lane AC cable and connector product sample requirement update

Nov. 16, 2020

Types of Cable

Type 1



T5 cable

Sparq P/N: 4003-0002
Ti-lane P/N: 65069-xx
2C, 3C
AWG14
Length 2m, 2.5m, 4m

Type 2



T5 to T6

Sparq P/N: 4002-000x
Ti-lane P/N: 65015-xx
2C, 3C
AWG14
Length 0.7m, 3m

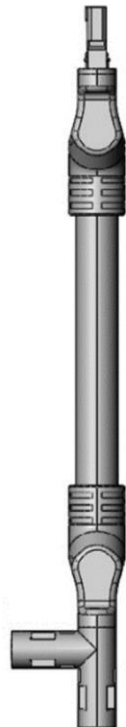
Type 3



T6 Female to T6 male

Sparq P/N: 4008-0001
Ti-lane P/N: 65011-xx
2C, 3C
AWG10
Length 1m, 2m

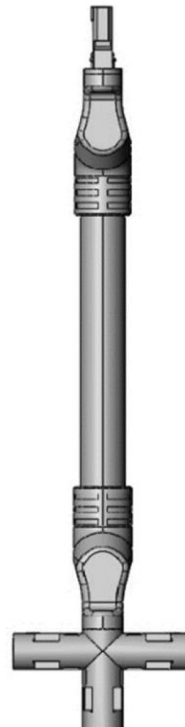
Type 4



T6 Female to T6 Tee male

Sparq P/N: 4007-0001
Ti-lane P/N: 65013-xx
2C, 3C
AWG10
Length 2m, 4m

Type 5



T6 Female to T6 Cross Male

Sparq P/N: 4005-0001
Ti-lane P/N: 65014-xx
2C, 3C
AWG10
Length 2m, 4m

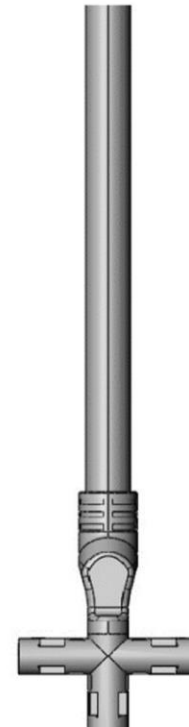
Type 6



T6 Tee male to Open

Sparq P/N: 4006-0002
Ti-lane P/N: 65013-xx
2C, 3C
AWG10
Length 2m, 4m

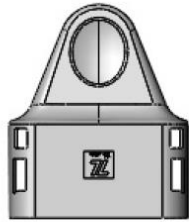
Type 7



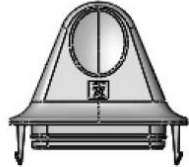
T6 Cross male to Open

Sparq P/N: 4004-000x
Ti-lane P/N: 65014-xx
2C, 3C
AWG10
Length 2m, 4m

Accessories - Sealing Cap



T6 Female Cap



T6 Male Cap



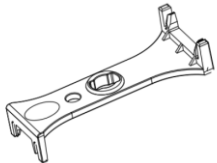
T5 Female Cap



T5 Male Cap

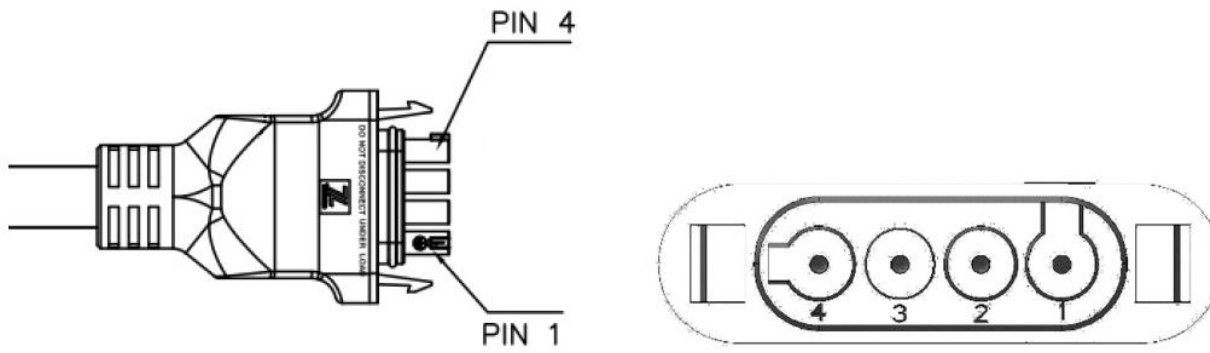
Description	Sparq Part number	Ti-lane Part number
T6 Female Cap		070-17-0091
T6 Male Cap		070-17-0090
T5 Female Cap		070-17-0089
T5 Male Cap		070-17-0088

Accessories – Unlocking Tool



Description	Sparq Part number	Ti-lane Part number
Unlock Tool		070-04-0028

PIN Arrangement



Note:

North America Area split phase: P1: Empty; P2: Line 1 (Black); P3: Neutral (White); P4: Line 2 (Red);

India Area single phase: P1: Empty; P2: Line 1 (Brown); P3: Empty; P4: Neutral (Blue);

India Area 3 phase: P1: Empty; P2: Line 1 (Red); P3: Line 2 (Yellow); P4: Line 3 (Blue);

Order Information

Type 1



AC Cable from T5 female to open, 2C, 3C, AWG 14,
<Link to 附录>

Region	Conduct Number	Colour Code	Length	Sparq P/N	Ti-lane P/N
North America	3C	L1:Black; L2:Red; Neutral: White	2m		65069-17
North America	3C	L1:Black; L2:Red; Neutral: White	2.5m		65069-19
North America	3C	L1:Black; L2:Red; Neutral: White	4m		65069-18
India	3C	L1:Red; L2:Yellow; L3: Blue	2m		65069-14
India	3C	L1:Red; L2:Yellow; L3: Blue	2.5m		65069-16
India	3C	L1:Red; L2:Yellow; L3: Blue	4m		65069-15
India	2C	L1:Brown; Neutral:Blue	2m		65069-11
India	2C	L1:Brown; Neutral:Blue	2.5m		65069-13
India	2C	L1:Brown; Neutral:Blue	4m		65069-12

Type 2



AC cable from T5 female to T6 female 2C, 3C AWG 14

Region	Conduct Number	Colour Code	Length	Sparq P/N	Ti-lane P/N
North America	3C	L1:Black; L2:Red; Neutral: White	0.7m		65015-09
North America	3C	L1:Black; L2:Red; Neutral: White	3m		65015-10
India	3C	L1:Red; L2:Yellow; L3: Blue	0.7m		65015-15
India	3C	L1:Red; L2:Yellow; L3: Blue	3m		65015-16
India	2C	L1:Brown; Neutral:Blue	0.7m		65015-17
India	2C	L1:Brown; Neutral:Blue	3m		65015-18

Type 3



AC Cable T6 female to T6 male, 2C, 3C AWG 10

Region	Conduct Number	Colour Code	Length	Sparq P/N	Ti-lane P/N
North America	3C	L1:Black; L2:Red; Neutral: White	1m		65011-10
North America	3C	L1:Black; L2:Red; Neutral: White	2m		65011-11
India	3C	L1:Red; L2:Yellow; L3: Blue	1m		65011-04
India	3C	L1:Red; L2:Yellow; L3: Blue	2m		65011-05
India	2C	L1:Brown; Neutral:Blue	1m		65011-02
India	2C	L1:Brown; Neutral:Blue	2m		65011-03

Type 4



AC Cable T6 female to T6 Tee male, 2C, 3C AWG 10

Region	Conduct Number	Colour Code	Length	Sparq P/N	Ti-lane P/N
North America	3C	L1:Black; L2:Red; Neutral: White	2m		65013-16
North America	3C	L1:Black; L2:Red; Neutral: White	4m		65013-17
India	3C	L1:Red; L2:Yellow; L3: Blue	2m		65013-10
India	3C	L1:Red; L2:Yellow; L3: Blue	4m		65013-11
India	2C	L1:Brown; Neutral:Blue	2m		65013-08
India	2C	L1:Brown; Neutral:Blue	4m		65013-09

Type 5



AC Cable T6 female to T6 cross male, 2C, 3C AWG 10

Region	Conduct Number	Colour Code	Length	Sparq P/N	Ti-lane P/N
North America	3C	L1:Black; L2:Red; Neutral: White	2m		65014-25
North America	3C	L1:Black; L2:Red; Neutral: White	4m		65014-26
India	3C	L1:Red; L2:Yellow; L3: Blue	2m		65014-05
India	3C	L1:Red; L2:Yellow; L3: Blue	4m		65014-06
India	2C	L1:Brown; Neutral:Blue	2m		65014-03
India	2C	L1:Brown; Neutral:Blue	4m		65014-04

Type 6



AC Cable T6 Tee male to open, 2C, 3C AWG 10

Region	Conduct Number	Colour Code	Length	Sparq P/N	Ti-lane P/N
North America	3C	L1:Black; L2:Red; Neutral: White	2m		65012-14
North America	3C	L1:Black; L2:Red; Neutral: White	4m		65012-15
India	3C	L1:Red; L2:Yellow; L3: Blue	2m		65012-04
India	3C	L1:Red; L2:Yellow; L3: Blue	4m		65012-05
India	2C	L1:Brown; Neutral:Blue	2m		65012-02
India	2C	L1:Brown; Neutral:Blue	4m		65012-03

Type 7

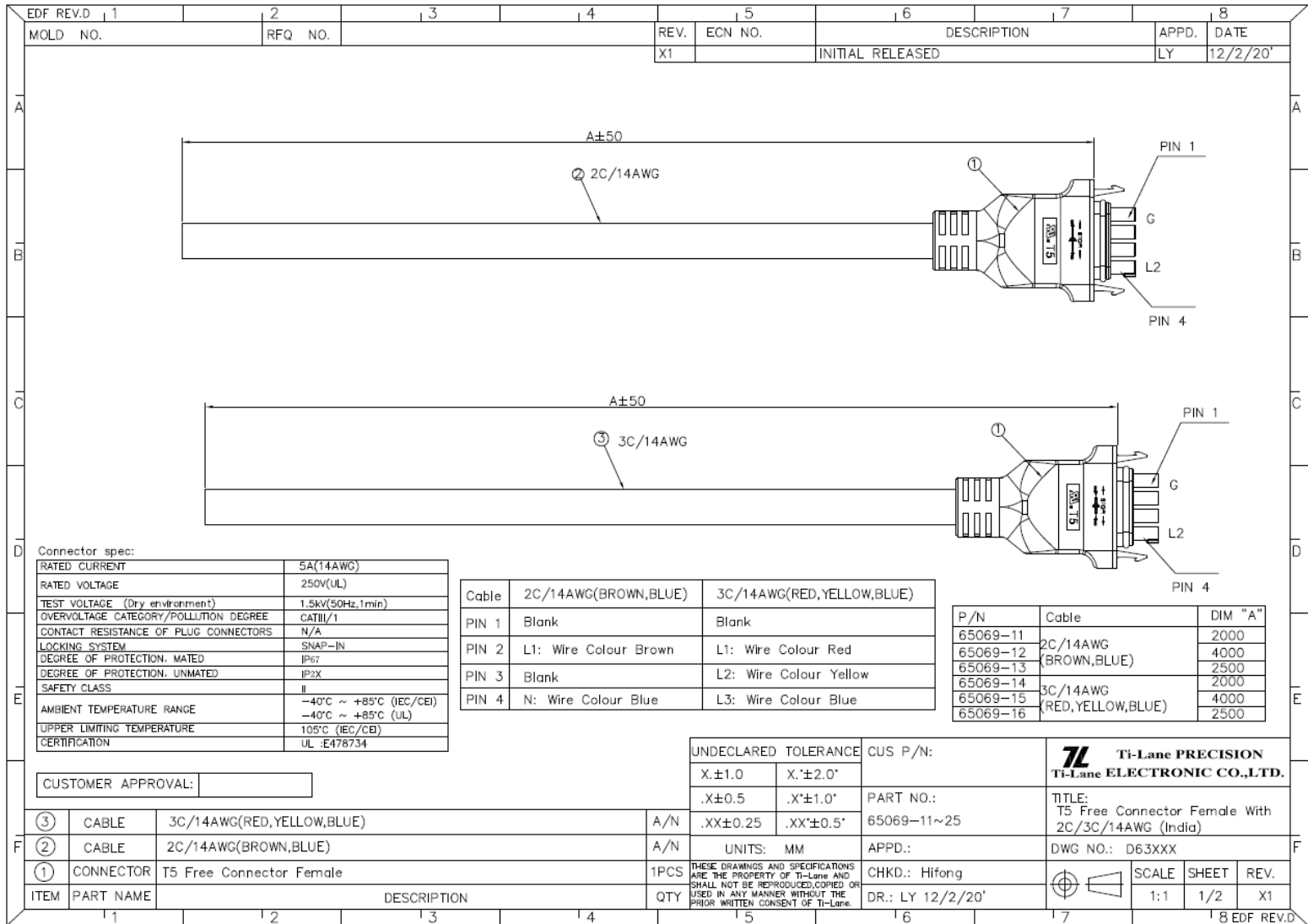


AC Cable T6 cross male to open, 2C, 3C AWG 10

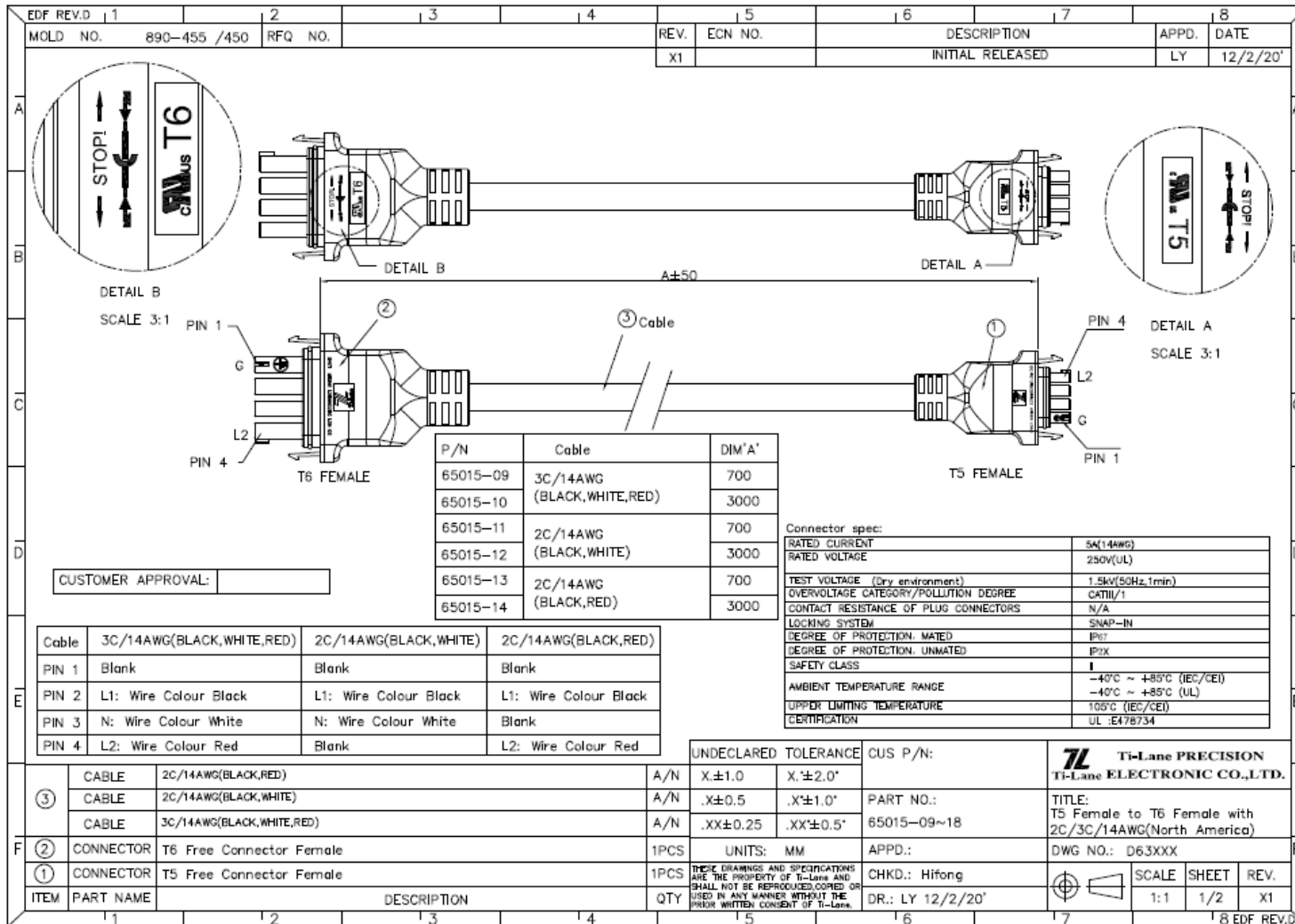
Region	Conduct Number	Colour Code	Length	Sparq P/N	Ti-lane P/N
North America	3C	L1:Black; L2:Red; Neutral: White	2m		65014-19
North America	3C	L1:Black; L2:Red; Neutral: White	4m		65014-20
India	3C	L1:Red; L2:Yellow; L3: Blue	2m		65014-13
India	3C	L1:Red; L2:Yellow; L3: Blue	4m		65014-14
India	2C	L1:Brown; Neutral:Blue	2m		65014-11
India	2C	L1:Brown; Neutral:Blue	4m		65014-12

Ti-Lane datasheet

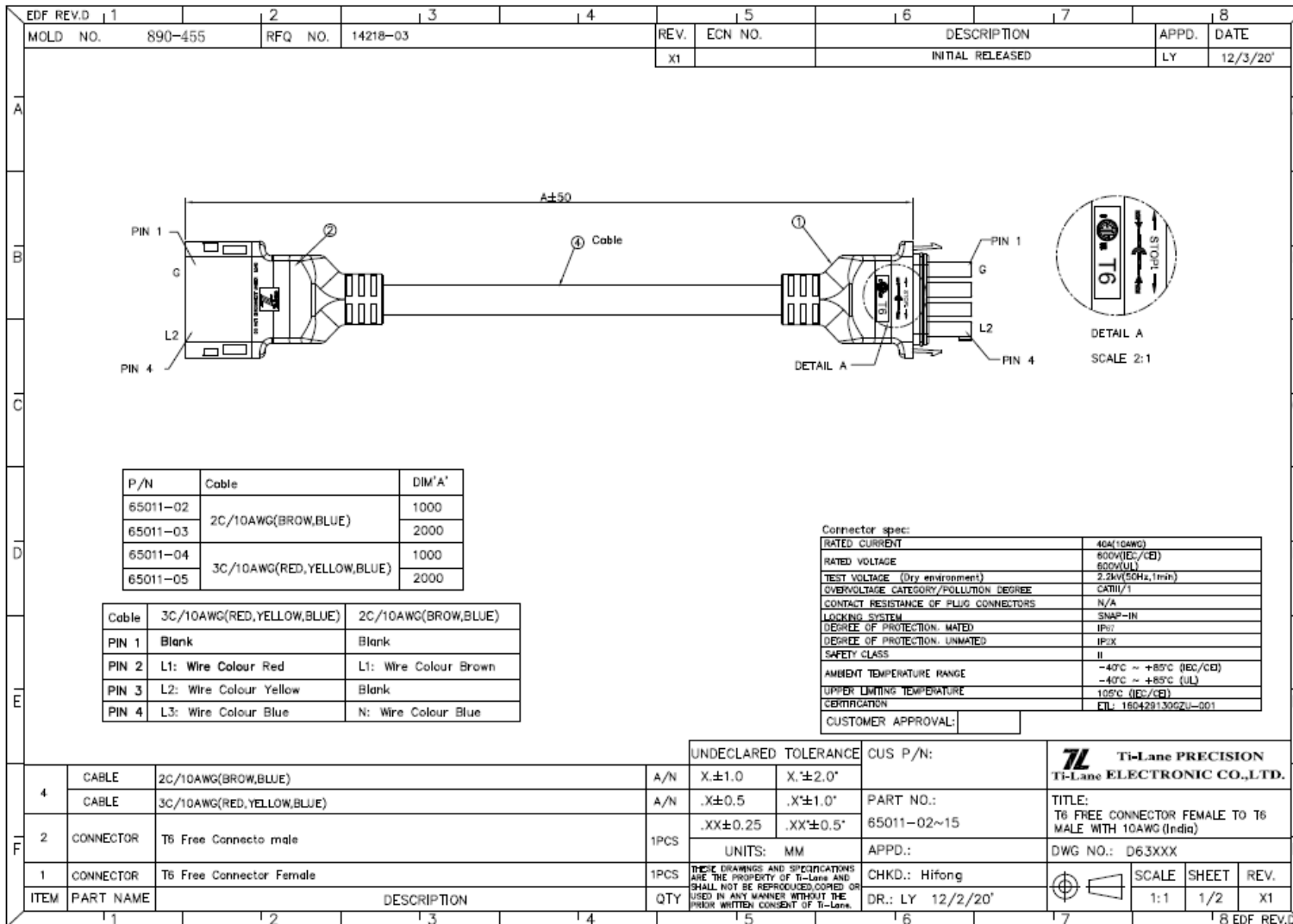
Type 1 drawing



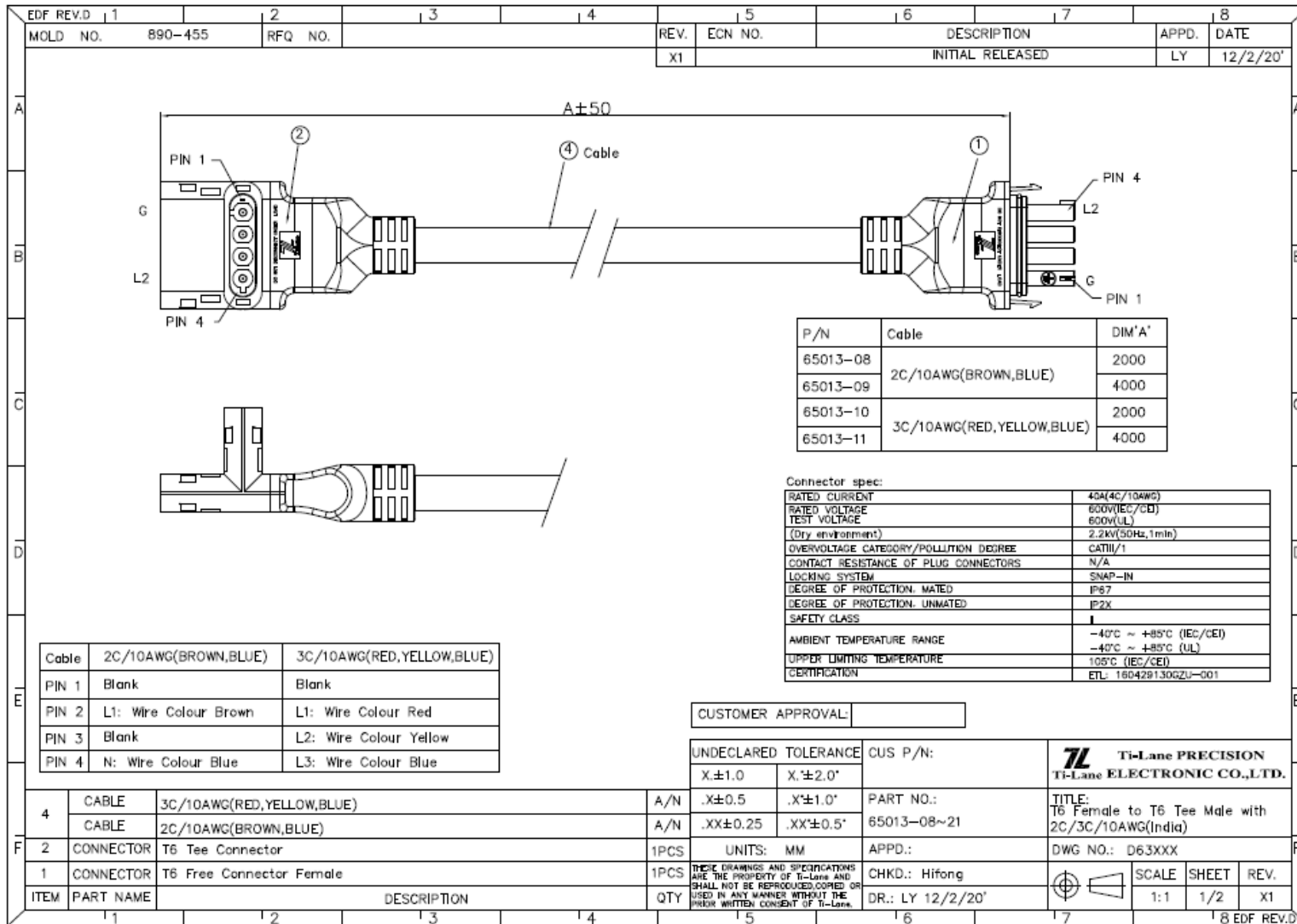
Type 2 drawing



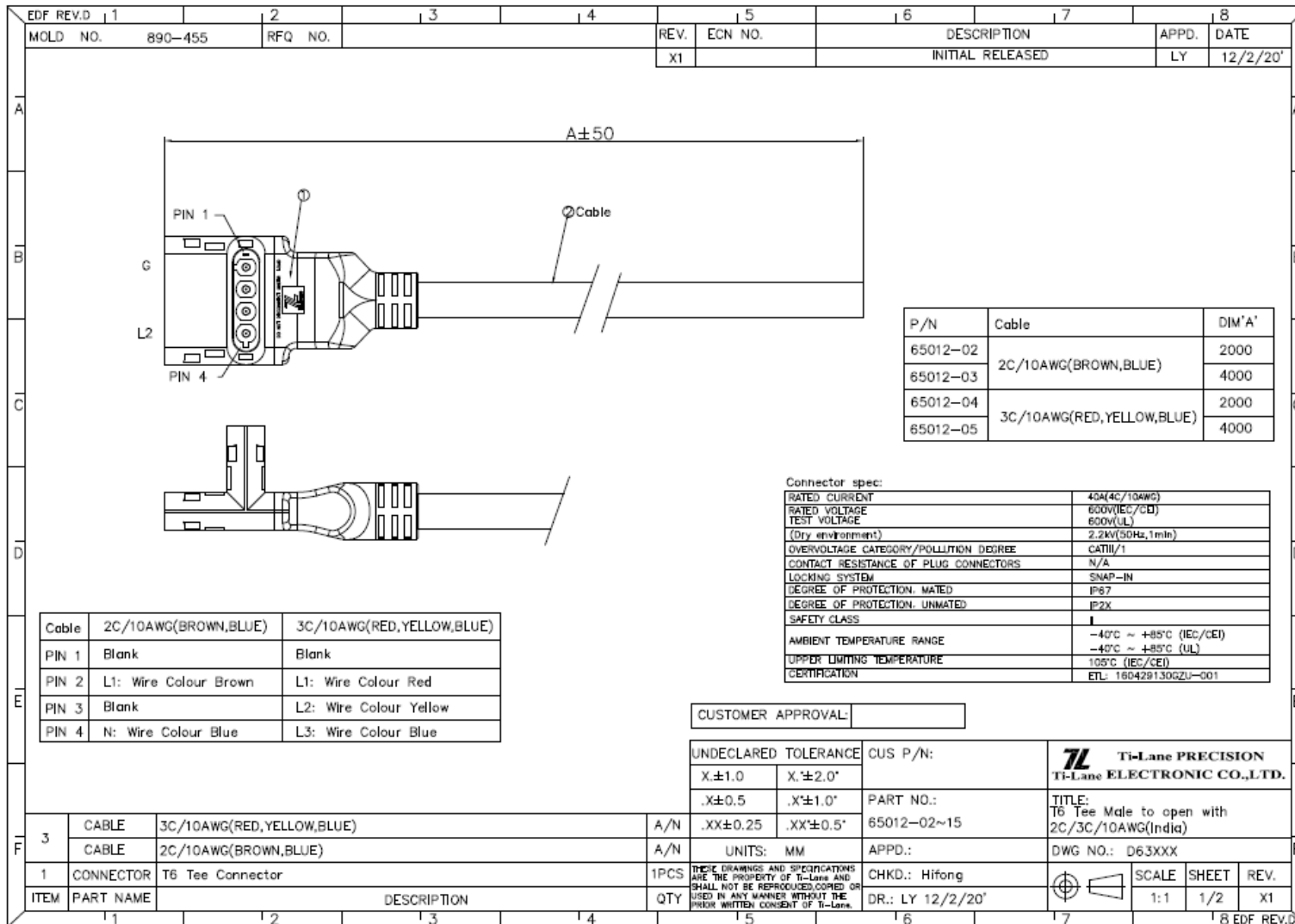
Type 3 drawing



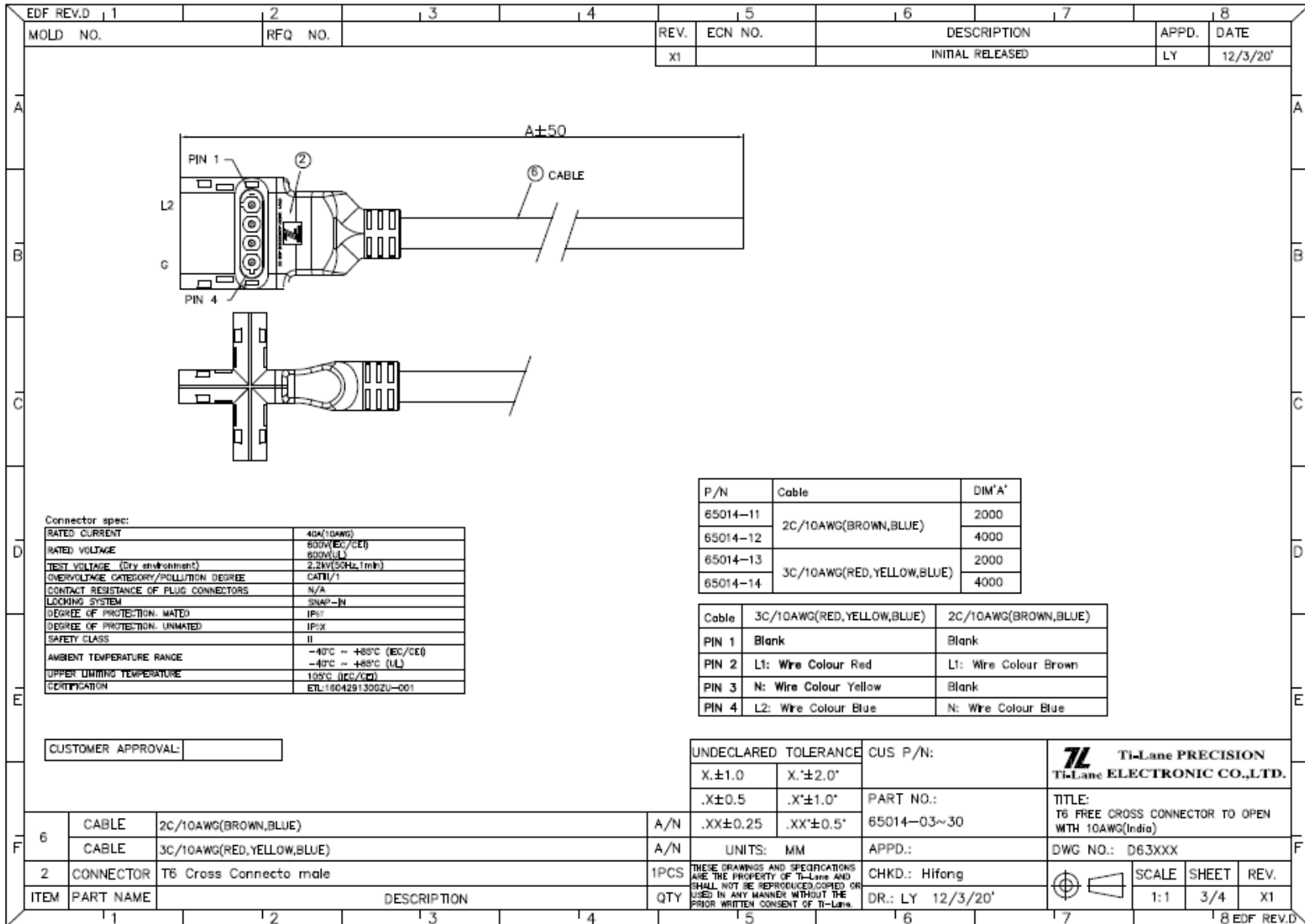
Type 4 drawing



Type 6 drawing



Type 7 drawing



Sealing Cap drawings

T6 Female Cap

EDF REV.D	1	2	3	4	5	6	7	8	
MOLD NO.	RFQ NO.	RFQ_NO	REV.	ECN NO.	DESCRIPTION			APPD.	DATE
Customer Drawing			A		NEW RELEASE			Hifong	12/26/17'

NOTES:

- 1.0. 材料: 高温材料 颜色 符合UL94-V0
- 2.0. 尺寸标注事项:
- 2.1. 有标示"▼"记号者为重点管控尺寸;
- 2.2. 有标示公差尺寸参考公差表, 尺寸有标号则以参考尺寸视之;
- 3.0. 包装要求事项:
- 3.1. 包装方式: PP袋 250PCS/袋
- 4.0. 外观要求事项:
- 4.1. 不可有霉水、起泡、烧焦、不饱模等不良
- 4.2. 不可有刮伤、划伤、拉伤等外观不良
- 4.3. 毛边要求: 0.15mmMAX, 且不可影响功能、装配

UNDECLARED TOLERANCE		CUS P/N:
X.±1	X.±2.0*	NAME
.X±0.5	.X*±1.0*	PART NO.:
.XX±0.25	.XX*±0.5*	070-17-0091
UNITS: MM		APPD.:
<small>THESE DRAWINGS AND SPECIFICATIONS ARE THE PROPERTY OF TI-LANE AND SHALL NOT BE REPRODUCED, COPIED OR USED IN ANY MANNER WITHOUT THE PRIOR WRITTEN CONSENT OF TI-LANE.</small>		CHKD.: Hifong
		DR.: Hifong 12/26/17'

Ti-Lane PRECISION
Ti-Lane ELECTRONIC CO.,LTD.

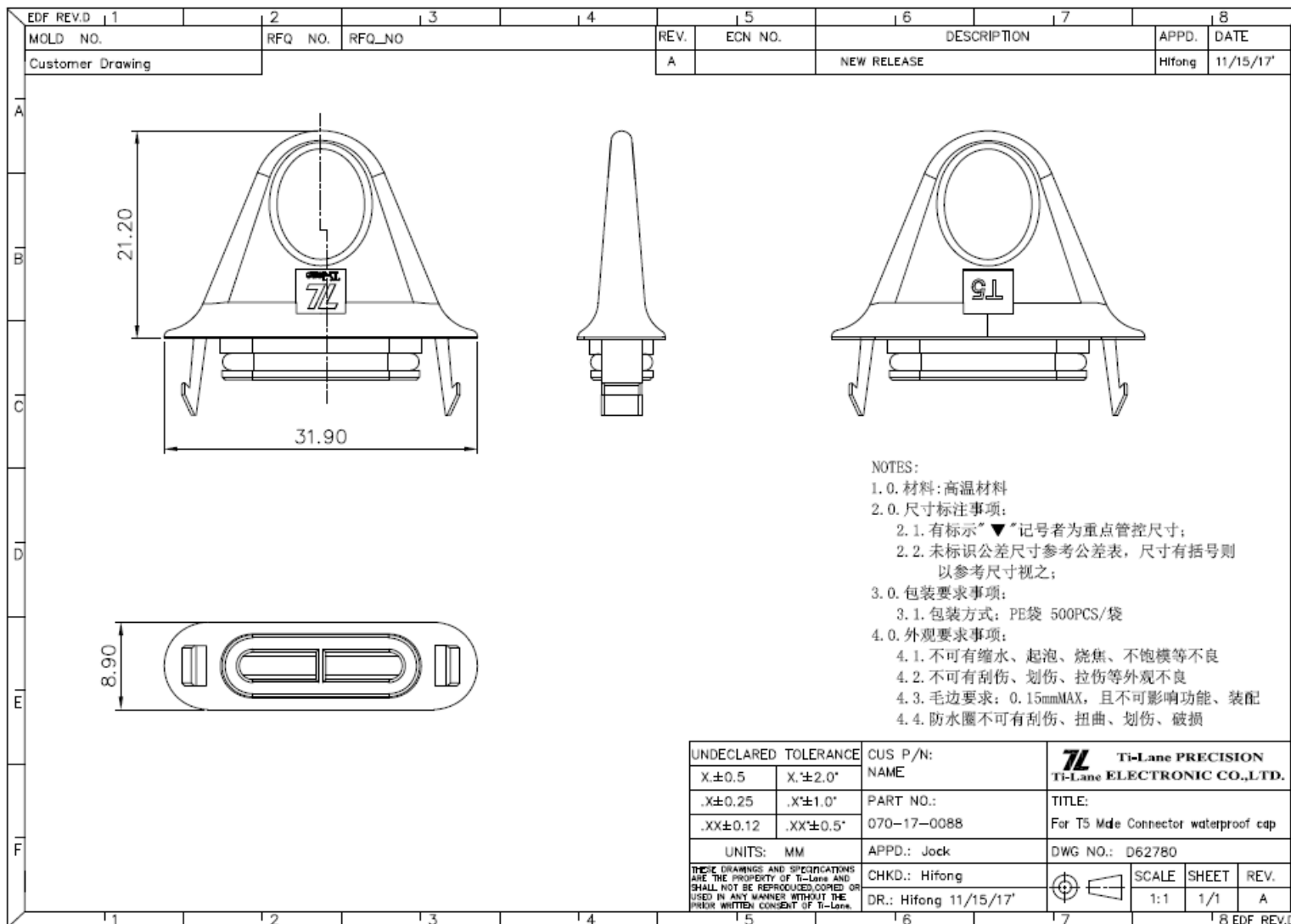
TITLE:
For T6 Mde Connector waterproof cap

DWG NO.: D62783

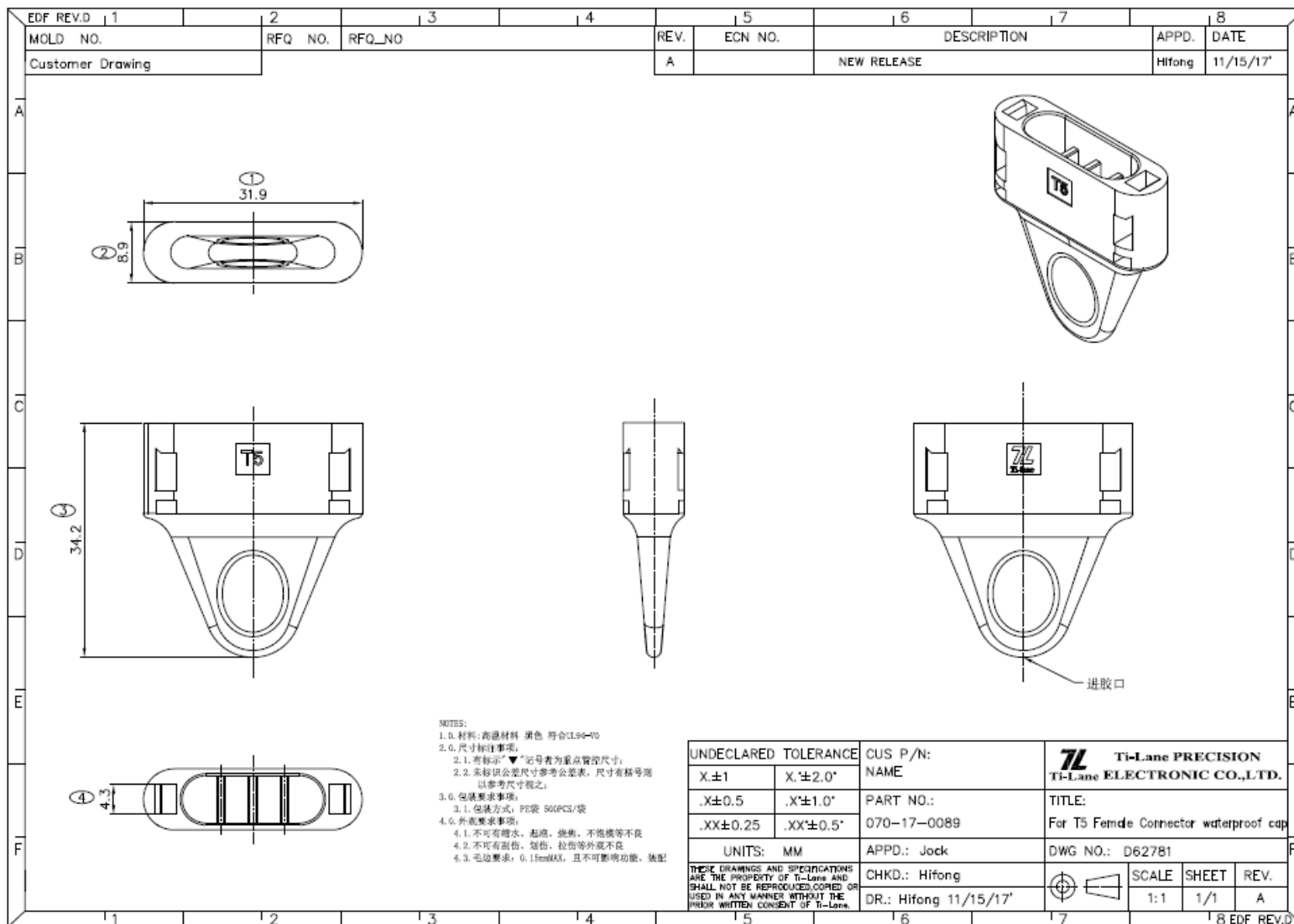
SCALE	SHEET	REV.
1:1	1/1	A

1	2	3	4	5	6	7	8
							EDF REV.D

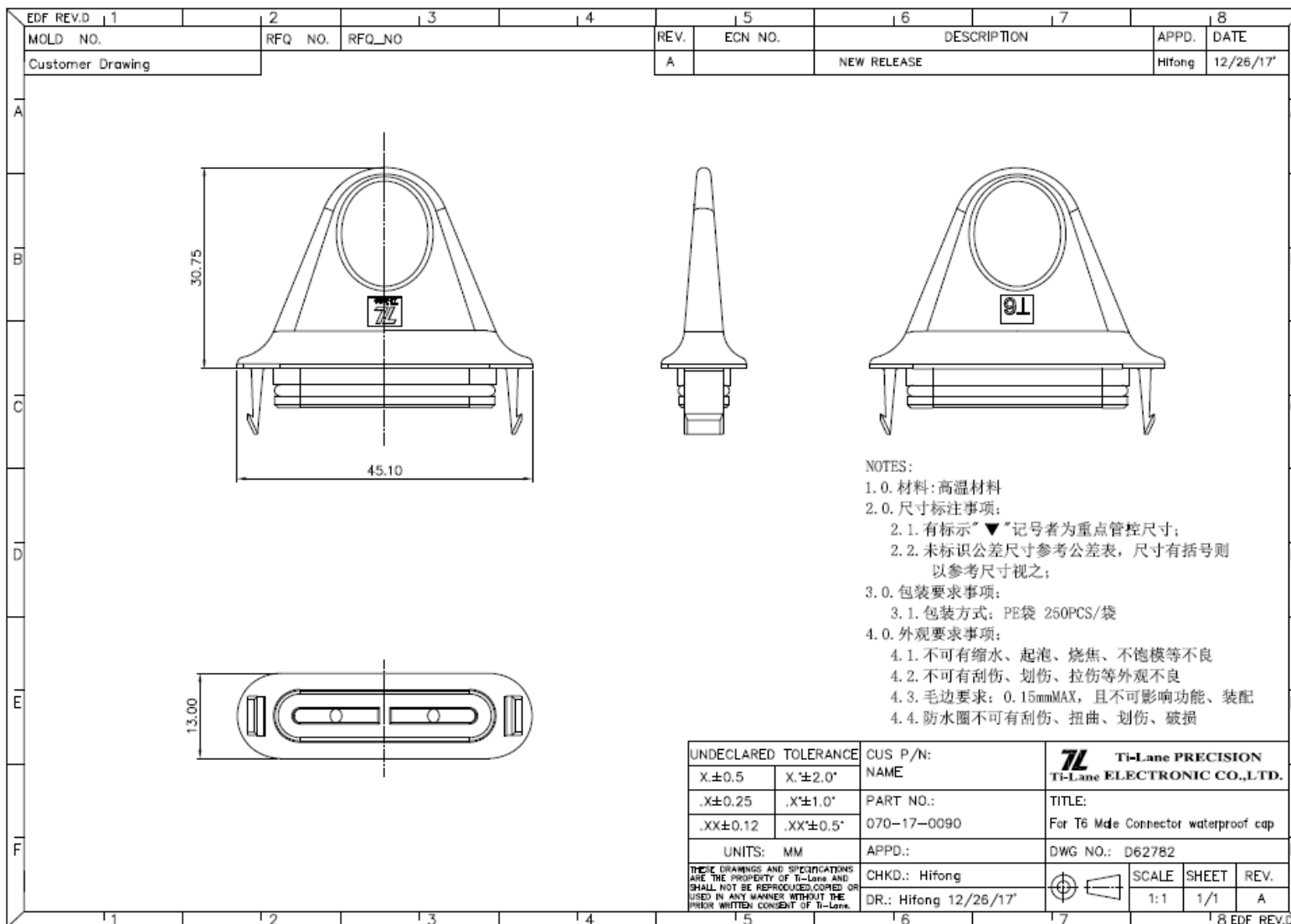
T6 Male Cap



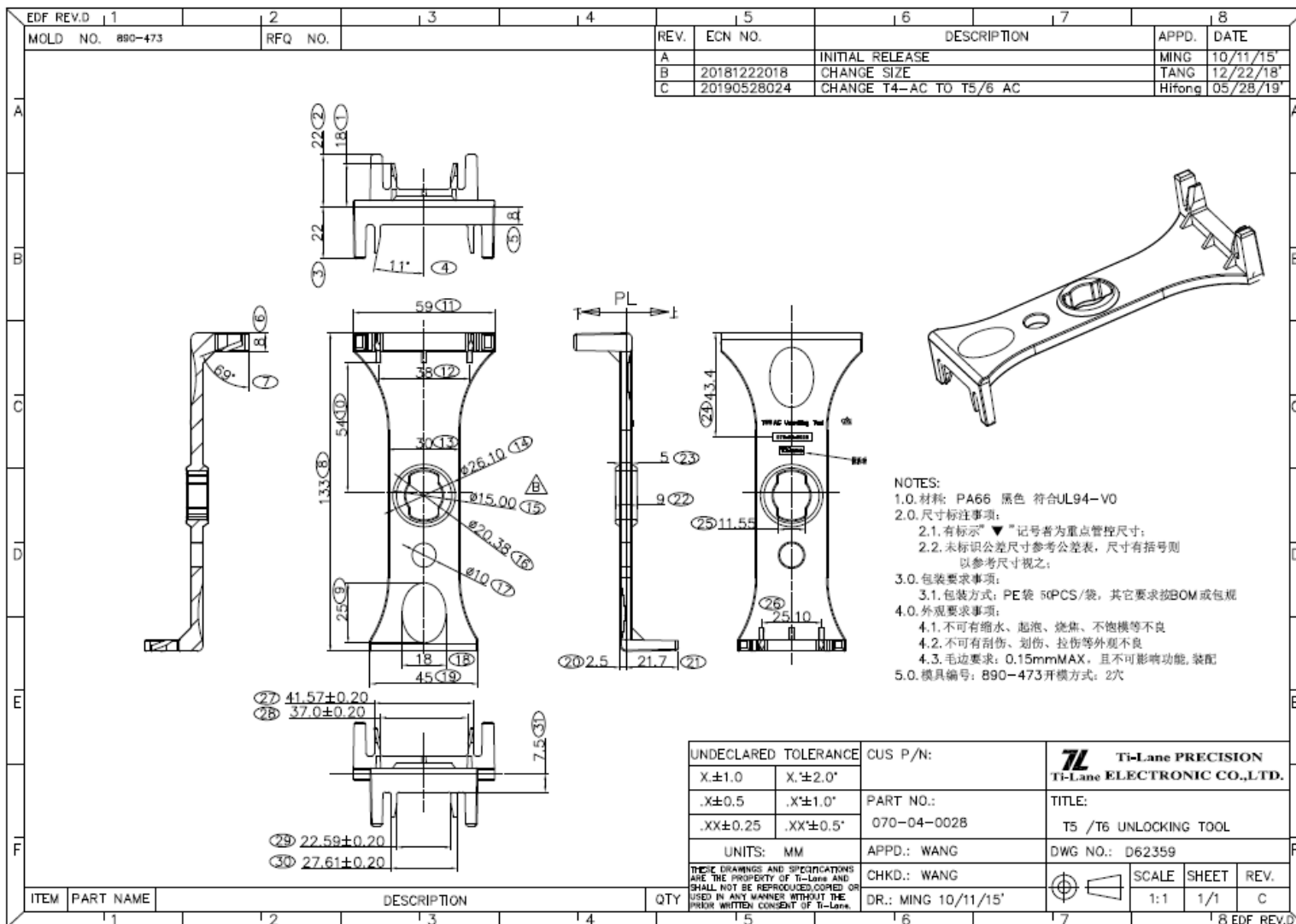
T5 Female Cap



T5 Male Cap



Tool drawing



Ti-Lane Part Number Reference Table

Ti-Lane P/N	Sparq P/N	Description
65069-11		T5 Free Female with 2M 2C/14AWG(Brown, Blue) (India)
65069-12		T5 Free Female with 4M 2C/14AWG(Brown, Blue) (India)
65069-13		T5 Free Female with 2.5M 2C/14AWG(Brown, Blue) (India)
65069-14		T5 Free Female with 2M 3C/14AWG(Red, Yellow, Blue) (India)
65069-15		T5 Free Female with 4M 3C/14AWG(Red, Yellow, Blue) (India)
65069-16		T5 Free Female with 2.5M 3C/14AWG(Red, Yellow, Blue) (India)
65069-17		T5 Free Female with 2M 3C/14AWG(Black, White, Red) (North America)
65069-18		T5 Free Female with 4M 3C/14AWG(Black, White, Red) (North America)
65069-19		T5 Free Female with 2.5M 3C/14AWG(Black, White, Red) (North America)
65069-20		T5 Free Female with 2M 2C/14AWG(Black, White) (North America)
65069-21		T5 Free Female with 4M 2C/14AWG(Black, White) (North America)
65069-22		T5 Free Female with 2.5M 2C/14AWG(Black, White) (North America)
65069-23		T5 Free Female with 2M 2C/14AWG(Black, Red) (North America)
65069-24		T5 Free Female with 4M 2C/14AWG(Black, Red) (North America)
65069-25		T5 Free Female with 2.5M 2C/14AWG(Black, Red) (North America)
65015-09		T5 Free Female to T6 Female with 0.7M 3C/14AWG(Black, White, Red) (North America)
65015-10		T5 Free Female to T6 Female with 3M 3C/14AWG(Black, White, Red) (North America)
65015-11		T5 Free Female to T6 Female with 0.7M 2C/14AWG(Black, White) (North America)
65015-12		T5 Free Female to T6 Female with 3M 2C/14AWG(Black, White) (North America)
65015-13		T5 Free Female to T6 Female with 0.7M 2C/14AWG(Black, Red) (North America)
65015-14		T5 Free Female to T6 Female with 3M 2C/14AWG(Black, Red) (North America)
65015-15		T5 Free Female to T6 Female with 0.7M 3C/14AWG(Red, Yellow, Blue) (India)
65015-16		T5 Free Female to T6 Female with 3M 3C/14AWG(Red, Yellow, Blue) (India)
65015-17		T5 Free Female to T6 Female with 0.7M 2C/14AWG(Brown, Blue) (India)
65015-18		T5 Free Female to T6 Female with 3M 2C/14AWG(Brown, Blue) (India)
65011-02		T6 Free Female to T6 Male with 1M 2C/10AWG(Brown, Blue) (India)
65011-03		T6 Free Female to T6 Male with 2M 2C/10AWG(Brown, Blue) (India)
65011-04		T6 Free Female to T6 Male with 1M 3C/10AWG(Red, Yellow, Blue) (India)
65011-05		T6 Free Female to T6 Male with 2M 3C/10AWG(Red, Yellow, Blue) (India)
65011-10		T6 Free Female to T6 Male with 1M 3C/10AWG(Black, White, Red) (North America)

65011-11		T6 Free Female to T6 Male with 2M 3C/10AWG(Black, White, Red) (North America)
65011-12		T6 Free Female to T6 Male with 1M 2C/10AWG(Black, White) (North America)
65011-13		T6 Free Female to T6 Male with 2M 2C/10AWG(Black, White) (North America)
65011-14		T6 Free Female to T6 Male with 1M 2C/10AWG(Black, Red) (North America)
65011-15		T6 Free Female to T6 Male with 2M 2C/10AWG(Black, Red) (North America)
65012-02		T6 Tee Male to Open with 2M 2C/10AWG(Brown, Blue) (India)
65012-03		T6 Tee Male to Open with 4M 2C/10AWG(Brown, Blue) (India)
65012-04		T6 Tee Male to Open with 2M 3C/10AWG(Red, Yellow, Blue) (India)
65012-05		T6 Tee Male to Open with 4M 3C/10AWG(Red, Yellow, Blue) (India)
65012-10		T6 Tee Male to Open with 2M 2C/10AWG(Black, Red) (North America)
65012-11		T6 Tee Male to Open with 4M 2C/10AWG(Black, Red) (North America)
65012-12		T6 Tee Male to Open with 2M 2C/10AWG(Black, White) (North America)
65012-13		T6 Tee Male to Open with 4M 2C/10AWG(Black, White) (North America)
65012-14		T6 Tee Male to Open with 2M 3C/10AWG(Black, White, Red) (North America)
65012-15		T6 Tee Male to Open with 4M 3C/10AWG(Black, White, Red) (North America)
65013-08		T6 Free Female to T6 Tee Male with 2M 2C/10AWG(Brown, Blue) (India)
65013-09		T6 Free Female to T6 Tee Male with 4M 2C/10AWG(Brown, Blue) (India)
65013-10		T6 Free Female to T6 Tee Male with 2M 3C/10AWG(Red, Yellow, Blue) (India)
65013-11		T6 Free Female to T6 Tee Male with 4M 3C/10AWG(Red, Yellow, Blue) (India)
65013-16		T6 Free Female to T6 Tee Male with 2M 3C/10AWG(Black, White, Red) (North America)
65013-17		T6 Free Female to T6 Tee Male with 4M 3C/10AWG(Black, White, Red) (North America)
65013-18		T6 Free Female to T6 Tee Male with 2M 2C/10AWG(Black, White) (North America)
65013-19		T6 Free Female to T6 Tee Male with 4M 2C/10AWG(Black, White) (North America)
65013-20		T6 Free Female to T6 Tee Male with 2M 2C/10AWG(Black, Red) (North America)
65013-21		T6 Free Female to T6 Tee Male with 4M 2C/10AWG(Black, Red) (North America)
65014-03		T6 Free Female to T6 Cross Male with 2M 2C/10AWG(Brown, Blue) (India)
65014-04		T6 Free Female to T6 Cross Male with 4M 2C/10AWG(Brown, Blue) (India)
65014-05		T6 Free Female to T6 Cross Male with 2M 3C/10AWG(Red, Yellow, Blue) (India)
65014-06		T6 Free Female to T6 Cross Male with 4M 3C/10AWG(Red, Yellow, Blue) (India)
65014-25		T6 Free Female to T6 Cross Male with 2M 3C/10AWG(Black, White, Red) (North America)
65014-26		T6 Free Female to T6 Cross Male with 4M 3C/10AWG(Black, White, Red) (North America)
65014-27		T6 Free Female to T6 Cross Male with 2M 2C/10AWG(Black, White) (North America)
65014-28		T6 Free Female to T6 Cross Male with 4M 2C/10AWG(Black, White) (North America)

65014-29		T6 Free Female to T6 Cross Male with 2M 2C/10AWG(Black, Red) (North America)
65014-30		T6 Free Female to T6 Cross Male with 4M 2C/10AWG(Black, Red) (North America)
65014-11		T6 Free Cross Male to Open with 2M 2C/10AWG(Brown, Blue) (India)
65014-12		T6 Free Cross Male to Open with 4M 2C/10AWG(Brown, Blue) (India)
65014-13		T6 Free Cross Male to Open with 2M 3C/10AWG(Red, Yellow, Blue) (India)
65014-14		T6 Free Cross Male to Open with 4M 3C/10AWG(Red, Yellow, Blue) (India)
65014-19		T6 Free Cross Male to Open with 2M 3C/10AWG(Black, White, Red) (North America)
65014-20		T6 Free Cross Male to Open with 4M 3C/10AWG(Black, White, Red) (North America)
65014-21		T6 Free Cross Male to Open with 2M 2C/10AWG(Black, White) (North America)
65014-22		T6 Free Cross Male to Open with 4M 2C/10AWG(Black, White) (North America)
65014-23		T6 Free Cross Male to Open with 2M 2C/10AWG(Black, Red) (North America)
65014-24		T6 Free Cross Male to Open with 4M 2C/10AWG(Black, Red) (North America)